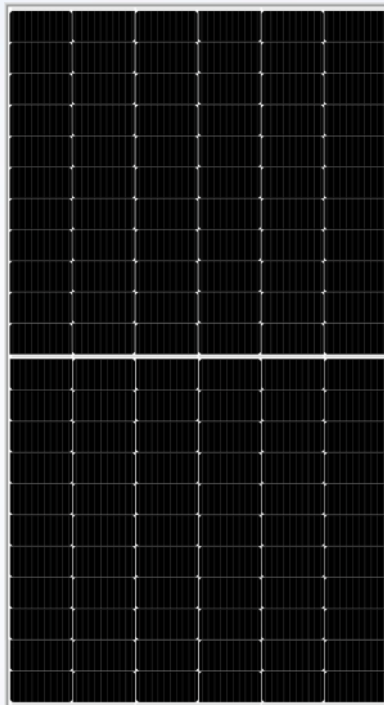
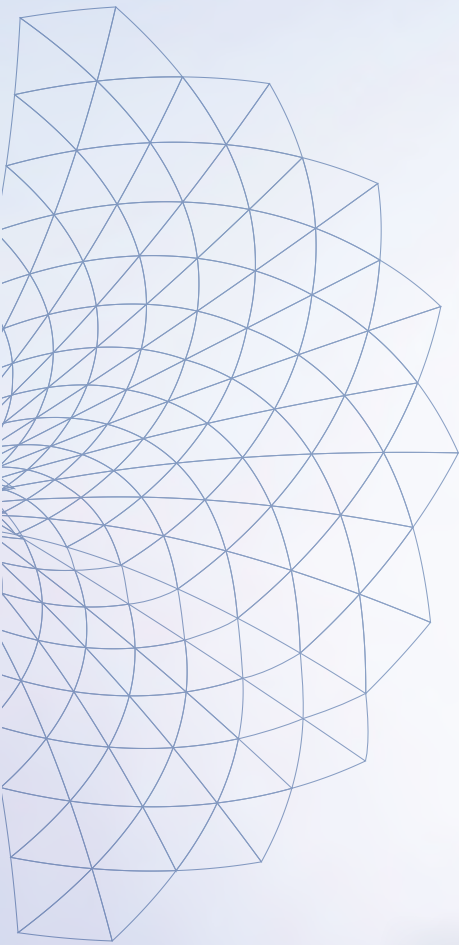






# HIGH POWER PERC SOLAR MODULE

MBB | Half cut

Optional : **JNMM132-495~505**



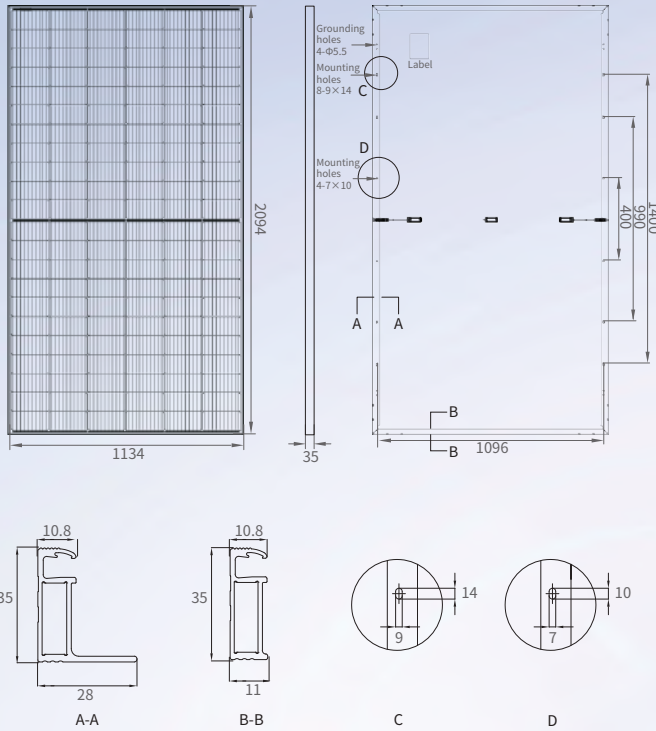
## HIGH POWER & HIGH COMPATIBILITY

-  High-power and larger modules reduce BOS cost and LCOE of power stations
-  Optional different layouts and types of modules for various scenarios

# High power PERC solar module

JNMM132-495~505

## ENGINEERING DRAWING



## MECHANICAL PARAMETERS

Cell (mm)	182*91 PERC
Dimensions (L*W*H) (mm)	2094*1134*35
Weight (kg)	24.95
Cable Cross Section Size (mm <sup>2</sup> )	4
No. of Cells & Connections	132(6*22)
No. of Diodes	3
Frame	Anodized Aluminium Alloy
Glass Thickness (mm)	3.2
Connector Type	PV-JN01/PV-KST4-EVO 2/xy_UR,PV-KBT4-EVO2/xy_UR

## QUALIFICATION

Temperature Cycling Range (°C)	-40~+85
Max. Series Fuse Rating (A)	25
Max.Wind Load/Max.Snow Load (Pa)	2400/5400
Fire Rating	Class C
Junction Box & Connector Protection Grade	IP68

## TEMPERATURE COEFFICIENTS

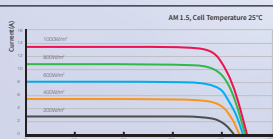
Nominal Module Operating Temperature (NMOT)	43±2°C
Temperature Coefficient Voltage (Voc)	-0.29 %/°C
Temperature Coefficient Current (Isc)	0.04 %/°C
Temperature Coefficient Power (Pm)	-0.34 %/°C

## ELECTRICAL PARAMETERS

Module Type	(1500V DC)	JNMM132-495	JNMM132-500	JNMM132-505
STC AM1.5 1000W/m <sup>2</sup> Cell Temperature 25°C	Max. Power at STC (Pmpp/W)	495	500	505
	Output Tolerance (W)	0+5	0+5	0+5
	Max. Power Voltage (Vmp/V)	38.09	38.29	38.50
	Max. Power Current (Imp/A)	13.00	13.06	13.12
	Open Circuit Voltage (Voc/V)	44.80	45.09	45.37
	Short Circuit Current (Isc/A)	13.83	13.88	13.93
	Module Efficiency (%)	20.85	21.06	21.27
NMOT AM1.5 800W/m <sup>2</sup> Ambient Temperature 20°C Wind Speed 1m/s	Max. Power (Pmpp/W)	374.5	378.2	382.0
	Max. Power Voltage (Vmp/V)	36.09	36.23	36.40
	Max. Power Current (Imp/A)	10.38	10.44	10.50
	Open Circuit Voltage (Voc/V)	42.97	43.11	42.83
	Short Circuit Current (Isc/A)	10.97	11.04	11.22

\*Measurement tolerance : Pmax:±3%, Voc:±3%; Isc: ±5%.

## I-V CURVE (495W)



## PACKING CONFIGURATION

Pieces Per Pallet	31
Pallets Per Container	22
Pieces Per Container	682

## Default

## Optional

Cable Length	<input type="checkbox"/> 400mm/300mm	<input type="checkbox"/> Customized
Frame Color	<input type="checkbox"/> Silver	<input type="checkbox"/> Black



TUV: IEC/EN 61215, IEC/EN 61730  
GB/T 19001-2016/ ISO 9001:2015  
GB/T 24001-2016/ ISO 14001:2015  
GB/T 45001-2020/ ISO 45001:2018  
CNAS-CL01: ISO/IEC 17025:2017

CAUTION: The electrical parameters in this product datasheet do not refer to only one module. Read safety and installation instructions before using the product. The contents of this specification are for reference only and are subject to change without notice. Jinery reserves the right of final interpretation. made in China. JNM-20230906-11.3P © 2022 JINNENG CLEAN ENERGY TECHNOLOGY LTD. ALL RIGHTS RESERVED.

## 15-year Product materials and workmanship quality warranty

### Output power

The 1st year	The 15th year	The 25th year
≥98.00%	≥90.30%	≥84.80%

# JINERGY

JINNENG CLEAN ENERGY TECHNOLOGY LTD  
JINNENG PHOTOVOLTAIC TECHNOLOGY LTD  
www.jinery.com